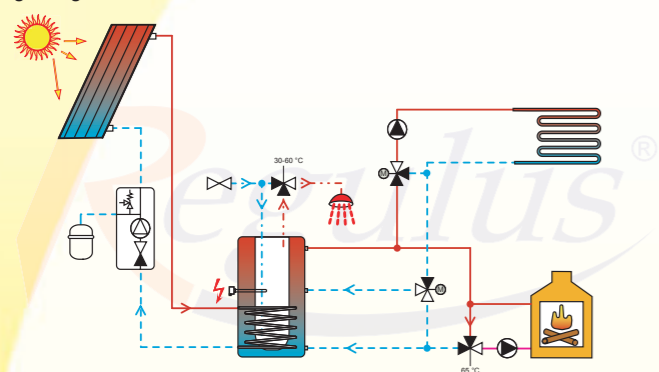


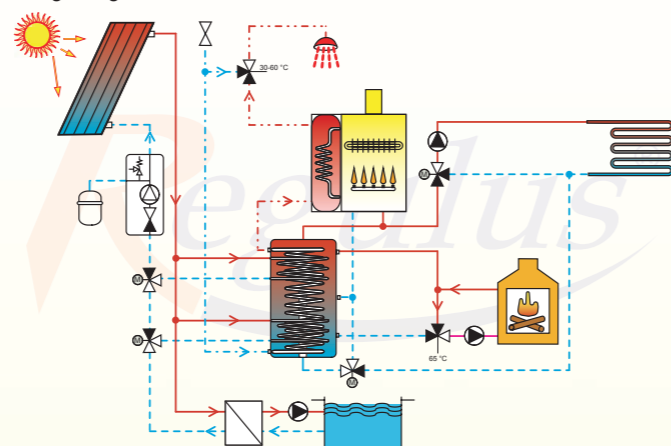
Solar Set sol 750DUO KPS11 EL

Pre-heating of DHW and heating water for low-temperature heating in a DUO combination tank. Afterheating by 2x6 kW electric heating rods. A solid-fuel boiler (fireplace) can be connected as well. The entire heating system is controlled by DeltaSol M intelligent controller with OTC. design Regulus 1016



Solar Set sol 800HSK KPW1 BAZ P

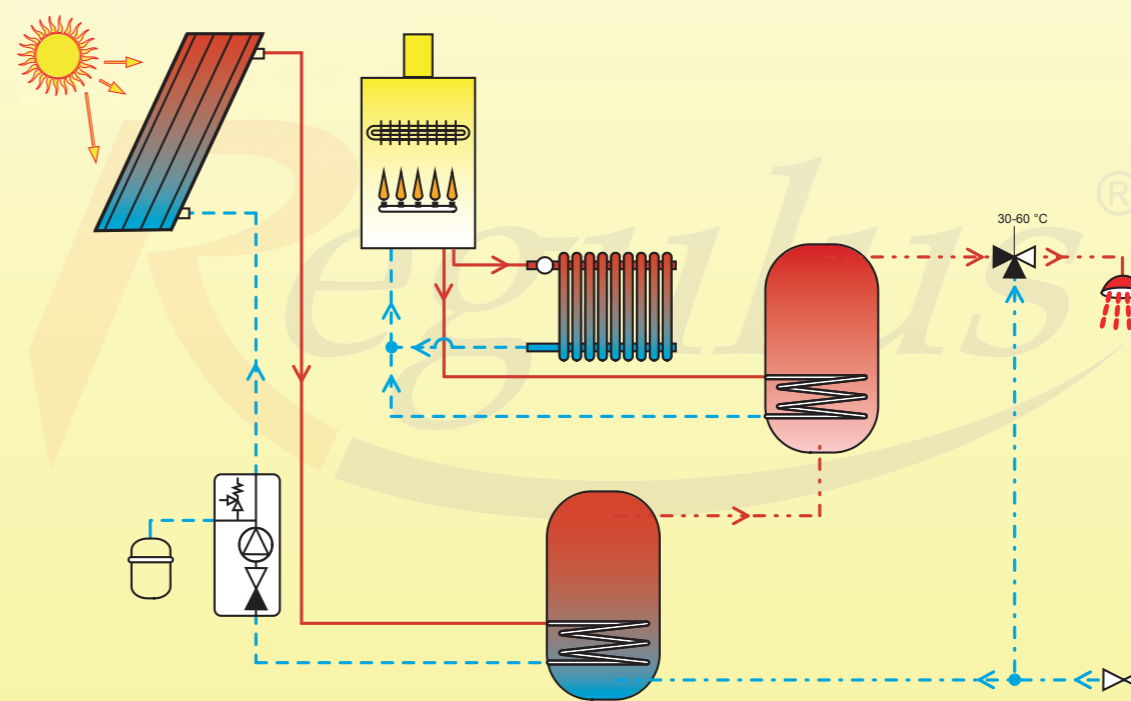
Pre-heating of DHW and of heating water for low-temperature heating systems in a HSK combination tank. In the summer, heat enough is available for e.g. pool heating. The entire heating system is controlled by DeltaSol M intelligent controller with OTC. design Regulus 1017



Název	sol 750DUO KPS11 EL			sol 800HSK KPW1 BAZ P		
	Mj	Kód	Typ	Mj	Kód	Typ
SOLAR COLLECTORS	4 pcs	8183	KPS11 ALP	4 pcs	8081	KPW1-C20
ROOF ANCHOR	8 pcs	6857	H-222088	8 pcs	6857	H-222088
FIXING AND INTERCONNECTING SET	1 pc	8283	S-UPS3	1 pc	8086	S-UPW1
CONNECTION SET	1 pc	7710	S-PDS	1 pc	8116	S-PDW
SOLAR CONTROLLER	1 pc	7382	DELTASOL M	1 pc	7382	DELTASOL M
PUMP STATION	1 pc	7846	S2 solar	1 pc	7848	S2 solar
AIR VENT VALVE	1 pc	6118	OVSA1-3/8"			
BALL VALVE - SOLAR	1 pc	7250	KK MF3/8"			
AIR SEPARATOR	1 pc	7076	EL 43 3/4"			
EXPANSION VESSEL	1 pc	7408	R8 40l	1 pc	7408	R8 40l
ANTIFREZE FLUID	50l	6720	KOLPS-25	50l	287	KOLPS-25
DHW/HEATING WATER TANK	1 pc	7323	DUO-E 750l	1 pc	7663	HSK 800
TANK INSULATION				1 pc	7665	IZOL HSK 800
THERMOSTAT	1 pc	7572	8P5.OR606			
HEATING ELEMENT	2 pcs	6065	1122/1070			
3-WAY ZONE VALVE				2 pcs	640	SF20-E 3/4"sp.
THERMOSTATIC MIXING VALVE	1 pc	6726	MT52	1 pc	6726	MT52
POOL HEAT EXCHANGER				1 pc	6201	OVB 130
BOILER THERM 28 KDZ 5				1 pc	7804	THERM 28 KDZ 5

FLAT PLATE SOLAR COLLECTORS

examples of solar sets, autumn 2008



Regulus

Regulus spol. s r.o. Czech Republic
Do Koutů 1897/3 143 00 Praha 4
Tel.: ++420 241 765 191 Fax: ++420 241 763 976
e-mail: sales@regulus.cz
www.regulus.eu

Solar collectors and components for solar systems, storage water heaters, accumulation tanks, components for systems with solid-fuel boilers, heat pumps, KOMBIFLEX flexible stainless-steel tubes, thermostats, pressure gauges, thermometers, valves, fume ducts for "turbo" boilers.

v1.1-11/2008

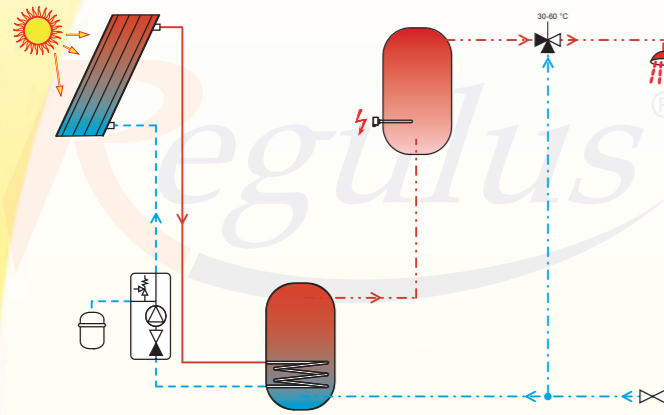
Regulus

Sets for Water Heating with KPC or KPS Flat Plate Solar Collectors

In order to cover the demand for DHW in case of a long-lasting lack of sunshine, it is necessary to combine solar heating with some traditional way of water heating. The most advantageous method is inserting a solar tank before the existing system of water heating, utilizing thus the maximum energy from the sun with minimum demand for water heating control and maintaining a comfort supply of hot water. Water afterheating can also be done directly in the solar tank; an electric heating element with a thermostat can be inserted into any of the solar tanks offered by us. A central heating boiler can be used for afterheating twin-coil tanks or combination tanks. Using a thermostatic mixing valve at the hot water outlet is recommended, which enables to set a maximum desired temperature of outgoing hot water. In public buildings its use is obligatory. The valve is included in all the sets shown in this leaflet. When properly sized, the solar system can supply solar energy also for additional heating in low-temperature heating systems, preferably in low-energy houses. Especially in these cases, an advantageous combination with summer pool heating is a good choice. This leaflet shows examples of several possible solutions how to utilize solar energy, of course many other combinations and connections can be created. On our web pages you can fill in a questionnaire and we will design even a more complicated system for you that will use renewable energy sources.

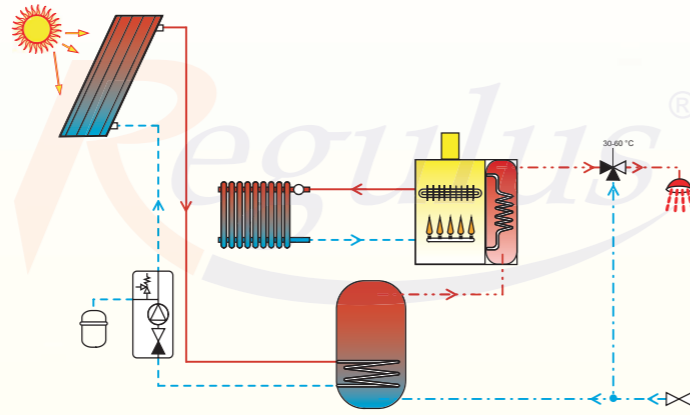
Sol 100 KPC Solar Set

Preheating the existing electric storage water heater.
design Regulus 1004



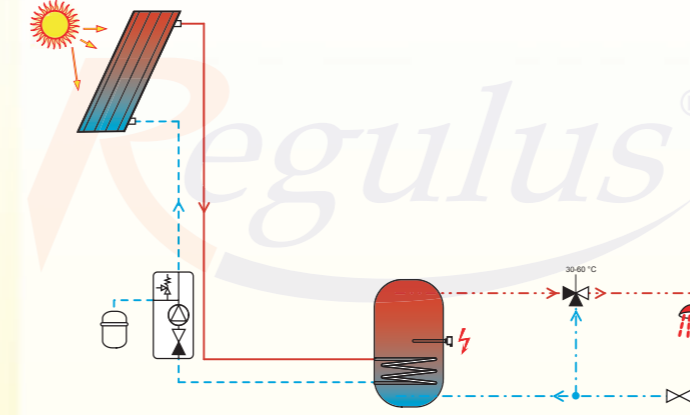
Sol 200 KPC Solar Set

Preheating a storage water heater inside a gas boiler.
design Regulus 1005



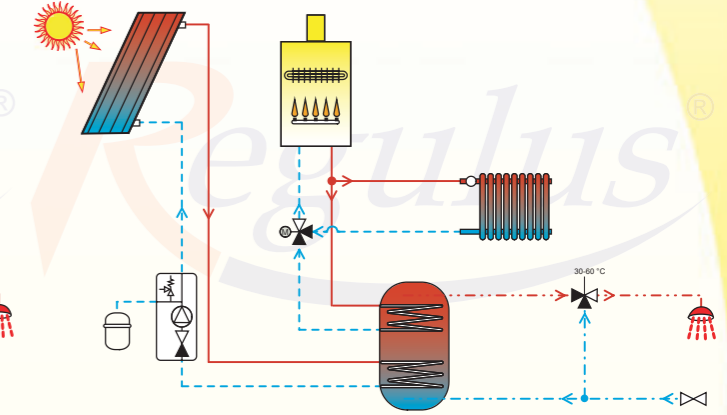
Sol 300 KPC Solar Set

Afterheating with an electric heating element inside a solar tank.
design Regulus 1001



Sol 300 KPS11 P Solar Set, afterheated by a boiler

Afterheating by a gas-fired boiler through a twin-coil solar tank.
design Regulus 1003



Item	sol 100 KPC			sol 200 KPC		
	unit	code	type	unit	code	type
SOLAR COLLECTORS	1 pc	7610	KPC1-BP	2 pcs	7610	KPC1-BP
ROOF ANCHOR	4 pcs	7929	H-POZINK	4 pcs	7929	H-POZINK
FIXING AND INTERCONNECTING SET	1 pc	7719	S-UPC1	1 pc	7711	S-UPC2
CONNECTION SET	1 pc	7710	S-PDCT	1 pc	7710	S-PDCT
AIR VENT VALVE	1 pc	6118	OVSA1-3/8"	1 pc	6118	OVSA1-3/8"
BALL VALVE - SOLAR	1 pc	7250	KK MF3/8"	1 pc	7250	KK MF3/8"
AIR SEPARATOR				1 pc	7076	EL 43 3/4"
SOLAR CONTROLLER	1 pc	7139	SR 1.1	1 pc	7139	SR 1.1
TEMPERATURE PROBE-COLLECTOR	1 pc	1818	TSK10D1	1 pc	1818	TSK10D1
TEMPERATURE PROBE-TANK	1 pc	1817	TSK10D0	1 pc	1817	TSK10D0
PUMP STATION	1 pc	7846	S1RS25/4_2-12l	1 pc	7846	S1RS25/4_2-12l
CONTACT THERMOMETER	1 pc	3042	1B2.0-120 °C	1 pc	3042	1B2.0-120 °C
EXPANSION VESSEL	1 pc	7405	R8 12l	1 pc	7405	R8 12l
ANTIFREZE FLUID	10l	6720	KOLPS-10	10l	6720	KOLPS-10
WALL-HUNG HOT WATER TANK*	1 pc	7267	OKC 100 I*	1 pc	7268	OKC 200 I*
THERMOSTATIC MIXING VALVE	1 pc	6726	MT52	1 pc	6726	MT52

Warning! The tanks OKC 100 and 200 used here are of wall-hung type, not self-standing ones.

*In case the OKC tank is used in a solar system, it is advisable not to use the inbuilt heating element.

Item	sol 300 KPC			sol 300 KPS11 P		
	unit	code	type	unit	code	type
SOLAR COLLECTORS	3 pcs	7610	KPC1-BP	2 pcs	8183	KPS11 ALP
ROOF ANCHOR	6 pcs	6857	H-222080	4 pcs	6857	H-222080
FIXING AND INTERCONNECTING SET	1 pc	7714	S-UPC3	1 pc	8281	S-UPS11-2
CONNECTION SET	1 pc	7710	S-PDCT	1 pc	7710	S-PDCT
AIR VENT VALVE	1 pc	6118	OVSA1-3/8"	1 pc	6118	OVSA1-3/8"
BALL VALVE - SOLAR	1 pc	7250	KK MF3/8"	1 pc	7250	KK MF3/8"
AIR SEPARATOR	1 pc	7076	EL 43 3/4"	1 pc	7076	EL 43 3/4"
PUMP STATION WITH CONTROLLER	1 pc	6886	FlowCon S	1 pc	6886	FlowCon S
CONTACT THERMOMETER	1 pc	3042	1B2.0-120 °C	1 pc	3042	1B2.0-120 °C
EXPANSION VESSEL	1 pc	7406	R8 18l	1 pc	7406	R8 18l
ANTIFREZE FLUID	20l	6720	KOLPS-10	20l	6720	KOLPS-10
HOT WATER TANK	1 pc	3253	RBC 300l	1 pc	6482	R2BC 300l
EL. HEATING ELEMENT W/THERMOSTAT	1 pc	8765	3 kW THR			
3-WAY ZONE VALVE				1 pc	644	SF20-E 3/4"sp.
THERMOSTATIC MIXING VALVE	1 pc	6726	MT52	1 pc	6726	MT52
BOILER THERM 17 KD				1 pc	8722	THERM 17 KD